

**LUPUS-Electronics LUPUSNIGHT – LE 138HD / 139HD**  
**User's Manual**

# Table of Contents

Introduction.....	3
Disclaimer.....	3
Important safety advice.....	3
Notes for usage and installation .....	4
In case you encounter an error.....	4
Designated use.....	5
1. General Introduction.....	5
1.1. Overview.....	5
1.2. Features.....	5
2. Framework and Dimensions of the LUPUSNIGHT – LE 138HD and 139HD .....	6
3. Installation of the LUPUSNIGHT – LE 138HD and 139HD .....	7
4. OSD – menu .....	8
4.1. OSD menu overview .....	9

## Introduction

---

Thank you for purchasing a LUPUSNIGHT® camera. Before you begin to use your camera, please carefully read the following security and installation instructions.

Keep the manual in order to be able to refer to it in case of any open questions in the future. Descriptions, figures, and technical data can change because of technological advancement. Hence, we advise you to download the latest PDF-version of this manual from our homepage.

## Disclaimer

---

This manual was prepared with greatest care. If you notice omissions or inaccuracies, please inform us about these. LUPUS-Electronics GmbH assumes no liability for technical or typographical faults and reserves the right to make modifications to the product or user manual without a previous announcement at any time. The company is not liable or responsible for direct and indirect subsequent damages which are caused in connection with the equipment, the performance, and the use of this product.

Not guarantee for the content of this document is taken.

## Important safety advice

---

The warranty will expire for damage due to non-compliance with these operating instructions.

LUPUS-Electronics will not be liable for any consequential loss!

LUPUS-Electronics will not accept liability for damage to property or personal injury caused by incorrect handling or non-compliance with the safety-instructions. In such cases the warranty will expire.

## Important Note

**Please read the manual carefully and completely before you use the camera. This should also be noted when this product is passed on to a third party.**

## Notes for usage and installation

---

This camera is a high quality surveillance device. Please keep the following security information in mind:

- Do never angle the camera directly into the sun.
- Do never angle the camera directly into a spotlight.
- Handle with care. Strong vibrations or impacts could damage the camera.
- Never touch internal components of the camera.
- Do not install the camera close to any strong electrical wires. This could influence the quality of the images.
- Do not install the camera directly on an aluminium or iron pole. You need to insulate it with rubber coating. Otherwise, the video transmission can be disrupted.
- Keep in mind that the cameras are not designed to be operated in areas with extreme temperature and moisture conditions. Adhere to the limits specified in the technical data stated on our homepage.
- This device is not designed to be handled by persons (including children) with limited physical, sensorial, or mental abilities, as well as, persons who are lacking the necessary knowledge. Only if they are supervised or instructed by someone responsible for their security, these persons should handle this device. Children should be supervised in order to make sure that they do not play with the device.
- Do not leave packing material lying around. Plastic bags, sheeting, etc. can pose a danger to children if played with. The camera includes cables which can lead to strangulation if handled improperly. The camera contains small parts which could be swallowed, and should be kept out of reach of children for safety reasons. Install the camera in a position in which children cannot reach it.
- Please pay attention to the safety information and user guides of the other connected devices.
- Adhere to the operating voltage limits specified in the technical data. Higher voltages could destroy the device and pose a health risk (electric shock).

## In case you encounter an error

---

In case you encounter an error, disconnect the camera from its power source and contact your distributor. Additional usage increases the danger of a fire or of an electrical shock.

## Designated use

---

When you install the camera make sure that you do not violate the personal rights of others. Any usage which is not described in this manual is not allowed and leads to a loss of warranty, as well as, a decline of liability. This also includes modifications.

## 1. General Introduction

---

### 1.1. Overview

The LUPUSNIGHT LE 138HD and 139HD conform to the HD-CVI standard. They support long distance, high speed video signal transmission without any delay. They can be controlled by DVRs conforming to the HD-CVI standard.

### 1.2. Features

- High-performance CMOS image sensor.
- Supports coaxial HD video transmission.
- Supports 75-3 coaxial cable transmission without any quality loss.
- Transmission range:
  - LUPUSNIGHT – LE 138HD ~300m / 238 yards
  - LUPUSNIGHT – LE 139HD ~ 300m / 238 yards.
- Long distance, high speed transmission in real time.
- Supports HD-CVI output in HD.
- The LUPUSNIGHT – LE 138 HD supports framerates of 25 and 50 frames per second in 720P.
- The LUPUSNIGHT – LE 139HD supports framerates of 25 frames per second in 1080P. Additionally, the LUPUSNIGHT – LE 139HD can also be operated in 720P mode and then supports framerates of 25 and 50 frames per second.
- Supports high performance noise reduction.
- Performs excellently in low illumination.
- Supports ICR switch to allow surveillance by day and by night.
- Intelligent IR function:
  - LUPUSNIGHT – LE 138HD maximal range of 30m / 33 yards
  - LUPUSNIGHT – LE 139HD maximal range of 30m / 33 yards
- Focal length:
  - LUPUSNIGHT – LE 138HD 3.6mm (fixed lens)
  - LUPUSNIGHT – LE 139HD 3.6mm (fixed lens)

- Protection class: IP66
- The LUPUSNIGHT – LE 138HD and LE 139HD features an OSD (on-screen-display) to allow individual setup.
- Runs on a DC 12V power supply.

## 2. Framework and Dimensions of the LUPUSNIGHT – LE 138HD and 139HD

Please refer to the following figures for dimension information. All measurements are given in mm.

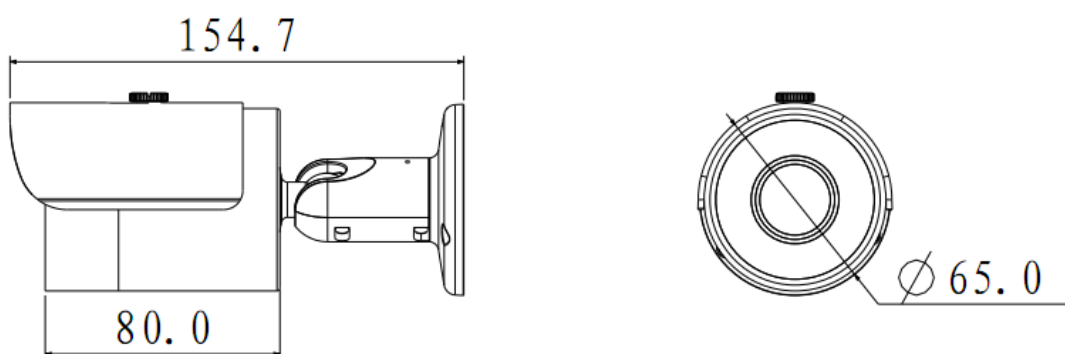


Figure 2-1 LUPUSNIGHT – LE 138HD / 139HD Dimensions

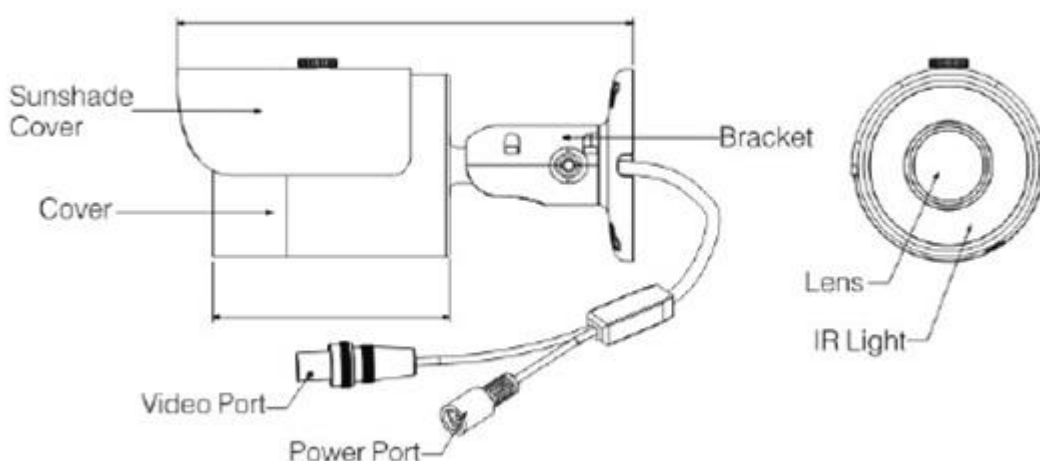


Figure 2-2 LUPUSNIGHT – LE 138HD / 139HD Layout and connectors

### 3. Installation of the LUPUSNIGHT – LE 138HD and 139HD

---

- **IMPORTANT:**

Before you install the camera, please make sure that the surface on which you install the camera can at least support 3x the weight of the camera.

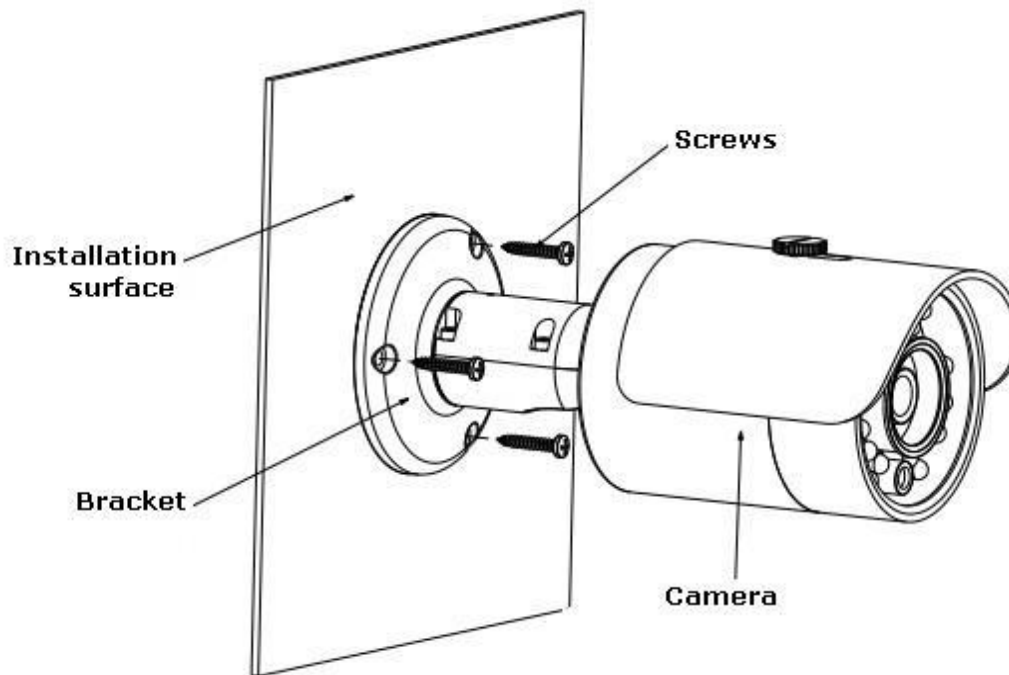


Figure 3-1 LUPUSNIGHT – LE 138HD / 139HD

**Step 1:**

Use the installation position map to mark the place of installation you have chosen for your camera. Drill three holes according at the marked spots and then push the three dowels into these holes.

**Step 2:**

Lay the cable according to your preference, either through the wall behind the camera, or along the wall next to the camera (we recommend to lay the cables through the wall behind the camera). If you lay the cable through the wall, you need to drill an additional hole for the cable.

**Step 3:**

Line up the holes in the bracket of the camera with the holes you have drilled in the wall and fix the bracket securely with the enclosed screws.

**Step 4:**

Now you can adjust the angle of the camera with the options depicted in fig. 3-2.

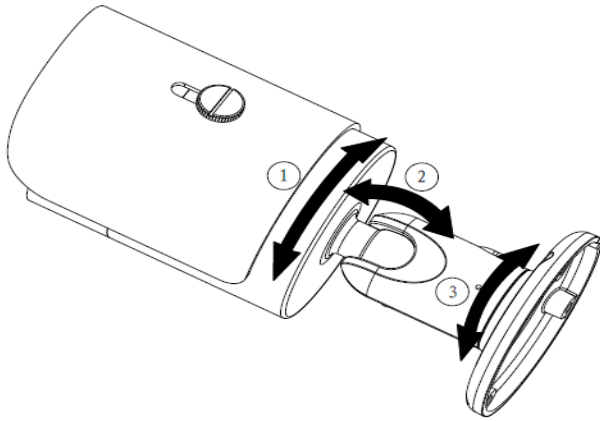


Figure 3-2 Options to adjust the camera angle of your LUPUSNIGHT – LE 138Hd / 139HD

**Step 5:**

Connect the camera via a coaxial cable to your HDTV recorder and, then, connect the power cable to your power source. The camera will now boot and your HDTV recorder will receive an image from the camera.

**4. OSD – menu**

It is possible change camera settings via the OSD menu. Factory-provided, the camera has the optimal settings to ensure a best possible image. However, if you want to change some settings, please proceed as follows.

- To open the OSD menu, right click on the image while in single picture mode. In the Menu click on “Pan / Tilt / Zoom.” The following Menu should appear:



Figure 3-6 OSD menu

- Click on the arrow at the right edge of the menu. In the expanded menu, click on “Enter menu” button in the upper right corner. In the following menu, click on enter to open the OSD menu.



To open the OSD menu via the Web interface of your HDTV recorder, please proceed as follows:

- Open the single image view of a camera and click on the black bar on the right to open the PTZ options
- Select “PTZ menu” and click on the middle button of the directional pad.

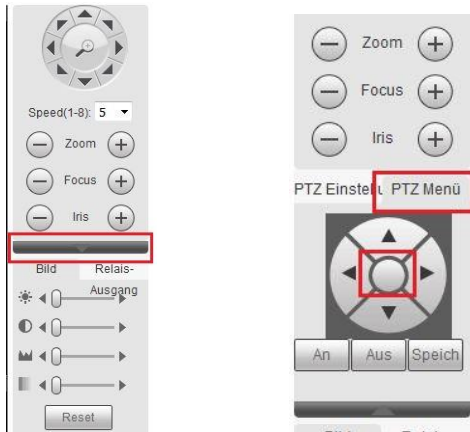


Figure 5-2 OSD menu (Web interface)

## 4.1. OSD menu overview

If you are not familiar with the function of the following settings, we advise you not to change any settings in the OSD menu!

<b>Format</b>	PAL		
	NTSC		
<b>Video Mode</b>	1080p @25 FPS (nur LE 139HD)		
	720p @ 20 FPS		
	720p @ 50 FPS		
<b>Backlight Mode</b>	Off		
	BLC	On	
		Off	
	WDR	0 – 5	
	HLC	0 – 5	
<b>Image Adjustment</b>	Image Mode	Standard	
		Soft	
		Vivid	
	Sharpness	0 - 100	
	Brightness	0 - 100	
	Contrast	0 – 100	
	Saturation	0 – 100	

	Sharp suppression	0 – 100	
	Chroma suppression	0 – 100	
	Gamma	0 – 15	
	2DNR	0 - 100	
	3DNR	0 – 100	
<b>Exposure</b>	Auto	Gain max	0 – 100
		Gain min	0 – 100
	Exposure level	0 – 14	
	Exposure speed	0 – 7	
	Anti-flicker	Outdoor	
		50Hz	
		60Hz	
<b>White balance</b>	Auto		
	Manual	Blue gain	1 – 100
		Red gain	1 – 100
	Day		
	Night		
	Indoor		
	Outdoor		
<b>Day / night</b>	Auto		
	B/W		
	Color		
<b>Language</b>			
<b>Advanced</b>	Camera title		
	Mirror	Horizontal mirror	
		Vertical mirror	
	D-Zoom	1 – 10	
	Lens type	Manual	
		DC	
	Self-adaption	On	
		Off	
	Smart IR	Auto	Level 0 - 10
		IR normally closed	
	Privacy mask	Off	
		on	Area selection
			Display
			Area setup
			Restore default
	RS485 Setup	Address	
		Apply	
	System information	Version	
<b>Reset</b>			
<b>Exit</b>			

**Note:**

- **This manual is for reference only. Slight differences may be found in your user interface.**
- **All designs and software shown here are subject to change without any prior written notice.**
- **All trademarks and registered trademarks mentioned are the properties of their respective owners.**
- **If there is any uncertainty or controversy, please refer to the final explanation of us.**
- **Please visit our website or contact your local service engineer for more information.**

**LUPUS-Electronics® GmbH**

Otto-Hahn-Str. 12, D-76829 Landau

Tel. +49 (0) 6341 93 55 3 0 Fax. +49 (0) 6341 93 55 3 20

E-Mail: [info@Lupus-Electronics.de](mailto:info@Lupus-Electronics.de)

[www.Lupus-Electronics.de](http://www.Lupus-Electronics.de)