



LUPUS-Electronics GEODOME HD – LE 339HD
User's Manual

Version 1.0.1

Inhaltsverzeichnis

Introduction.....	3
Disclaimer.....	3
Important safety advice.....	3
Notes for usage and installation	4
In case you encounter an error.....	4
Designated use.....	4
1. General Introduction.....	5
1.1. Overview.....	5
1.2. Features.....	5
2. Framework and Dimensions of the GEODOME - LE 339HD	6
3. Installation of the GEODOME – LE 339HD.....	7
4. Microphone	7
5. OSD-menu (optional)	7
5.1. OSD menu overview:.....	9

Introduction

Thank you for purchasing a GEODOME HD® camera. Before you begin to use your camera, please carefully read the following security and installation instructions.

Keep the manual in order to be able to refer to it in case of any open questions in the future. Descriptions, figures, and technical data can change due to technological advancement. Hence, we advise you to download the latest PDF-version of this manual from our homepage.

Disclaimer

This manual was prepared with greatest care. If you notice omissions or inaccuracies, please inform us about these. LUPUS-Electronics GmbH assumes no liability for technical or typographical faults and reserves the right to make modifications to the product or user manual without a previous announcement at any time. The company is not liable or responsible for direct and indirect subsequent damages which are caused in connection with the equipment, the performance, and the use of this product.

Not guarantee for the content of this document is taken.

Important safety advice

The warranty will expire for damage due to non-compliance with these operating instructions. LUPUS-Electronics will not be liable for any consequential loss!

LUPUS-Electronics will not accept liability for damages to property or personal injuries caused by incorrect handling or non-compliance with the safety-instructions. In such cases the warranty will expire!

Important Note

**Please read the manual carefully and completely before you use the camera.
This should also be noted when this product is passed on to a third party.**

Notes for usage and installation

This camera is a high quality surveillance device. Please keep the following security information in mind:

- Never angle the camera directly into the sun
- Never angle the camera directly into a spotlight
- Handle with care. Strong vibrations or impacts could damage the camera
- Never touch internal components of the camera.
- Do not install the camera close to any strong electrical wires. This could influence the quality of the images.
- Do not install the camera directly on an aluminium or iron pole. You need to insulate it with rubber coating. Otherwise, the video transmission can be disrupted.
- Keep in mind that the cameras are not designed to be operated in areas with extreme temperature and moisture conditions. Adhere to the limits specified in the technical data stated on our homepage.
- This device is not designed to be handled by persons (including children) with limited physical, sensorial, or mental abilities, as well as, persons who are lacking the necessary knowledge. Only if they are supervised or instructed by someone responsible for their security, these persons should handle this device. Children should be supervised in order to make sure that they do not play with the device.
- Do not leave packing material lying around. Plastic bags, sheeting, etc. can pose a danger to children if played with. The camera includes cables which can lead to strangulation if handled improperly. The camera contains small parts which could be swallowed, and should be kept out of reach of children for safety reasons. Install the camera in a position in which children cannot reach it.
- Please pay attention to the safety information and user guides of the other connected devices.
- Adhere to the operating voltage limits specified in the technical data. Higher voltages could destroy the device and pose a health risk (electric shock).

In case you encounter an error

In case you encounter an error, disconnect the camera from its power source and contact your distributor. Additional usage increases the danger of a fire or of an electrical shock.

Designated use

When you install the camera, make sure that you do not violate the personal rights of others. Any usage which is not described in this manual is not allowed and leads to a loss of warranty, as well as, a decline of liability. This also includes modifications.

1. General Introduction

1.1. Overview

The GEODOME – LE 339HD conforms to the HD-CVI standard. It supports long distance, high speed video signal transmission without any delay. It can be controlled by DVRs conforming to the HD-CVI standard.

1.2. Features

- High-performance CMOS image sensor.
- Supports coaxial HD video transmission
- Supports 75-3 coaxial cable transmission without any quality loss
- Transmission range: ~500m / 546 yards
- Long distance, high speed transmission in real time
- Supports HD-CVI transmission in HD quality
- The GEODOME – LE 339HD supports framerates of 25 and 50 frames per second in 720p and 25 frames per second in 1080p
- High performance noise reduction
- Performs excellent in low illumination
- Night-vision range up to 20m / 21 yards with integrated IR LEDs
- Features an ICR switch to allow surveillance by day and night
- Focal length: 3.6mm with fixed lens
- Protection class: IP66 and IK10
- Features an OSD (on-screen display) to allow individual setup
- Runs on a DC 12V power supply (included)

2. Framework and Dimensions of the GEODOME - LE 339HD

Please refer to the following figures for information about the layout and dimensions of the LE 339HD. All measurements are given in mm.

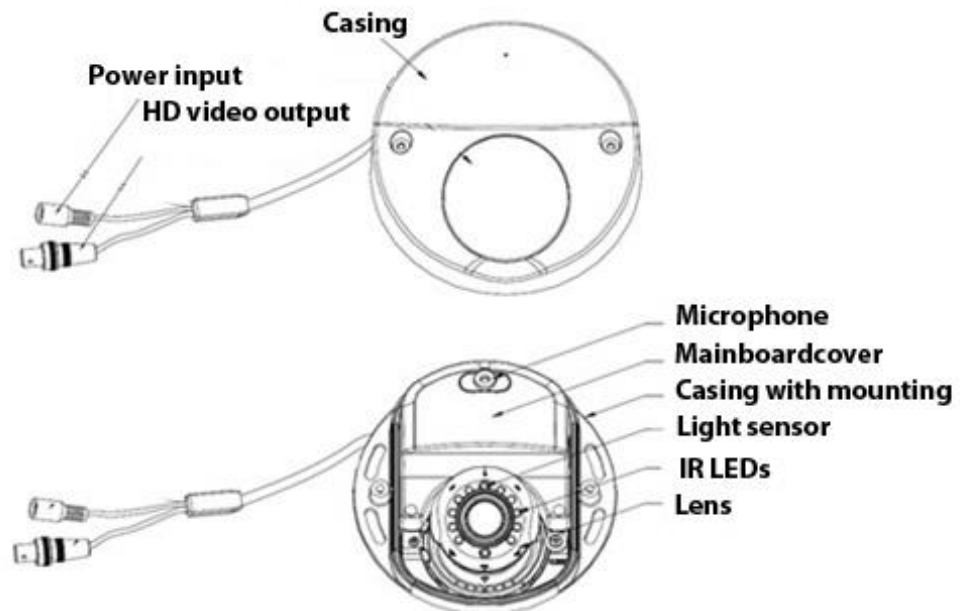


Figure 2-1 GEODOME – LE 339HD Layout and connectors

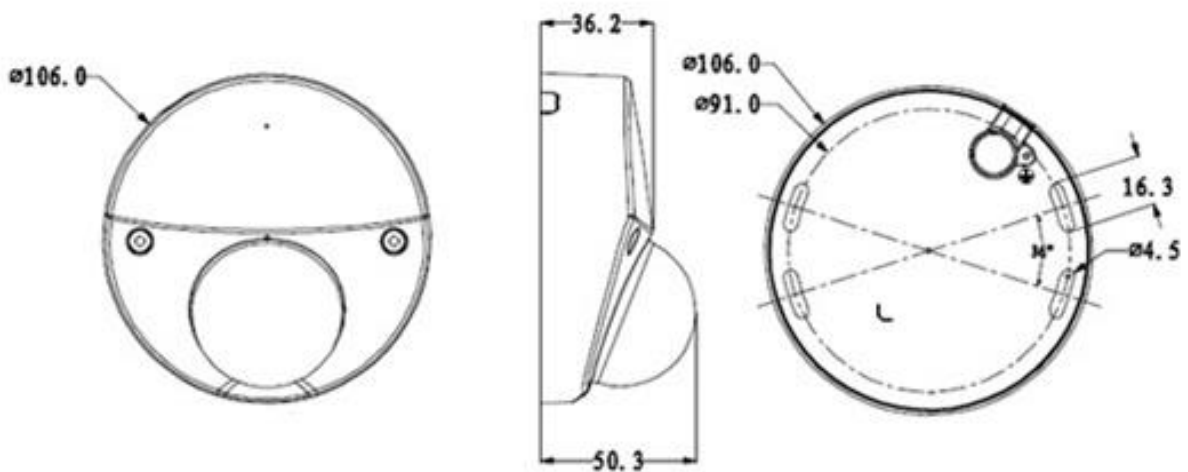


Figure 2-2 GEODOME – LE 339HD Dimensions

3. Installation of the GEODOME – LE 339HD

- **Important:**

Before you install the camera, please make sure that the surface on which you want to install the camera, can at least support 3x the weight of the camera.

Step 1:

Open the casing of the camera by unfastening the two screws next to the lens. You can use the included screws and dowels to install the camera at the location of your choice.

Adjust the lens to your individual needs.

Close the camera casing again.

Step 2:

Connect the camera via coaxial cable with your HDTV recorder.

Step 3:

Connect the camera with the included mains adapter. The camera will now boot and you will receive an image at your HDTV recorder.

4. Microphone

The LE 339HD features an integrated microphone. In order to use it, you need to enable "audio" and set "audio Source" to HDCVI in the menu Setup -> Camera -> Encode.

If you do not hear any sound afterwards, please open the OSD menu of the LE 339HD and check if "Built-in" is set in the menu advanced -> audio mode.

5. OSD-menu (optional)

It is possible to change settings via the OSD menu. Factory-provided, the camera has the optimal settings to ensure the best possible image. However, if you want to change some settings, please proceed as follows.

- To open the OSD menu, right click on the image while in single picture mode. In the menu, click on "Pan / Tilt / Zoom." The following will appear:



Figure 5-1: OSD menu

- Click on the arrow at the right edge of the menu. In the expanded menu, click on “Enter menu” in the upper right corner. In the following menu, click on “enter” to open the OSD menu.

To open the OSD menu via the Web interface of your HDTV recorder, please proceed as follows:

- Open the single image view of a camera and click on the black bar on the right to open the PTZ options
- Select “PTZ menu” and click on the middle button of the directional pad.

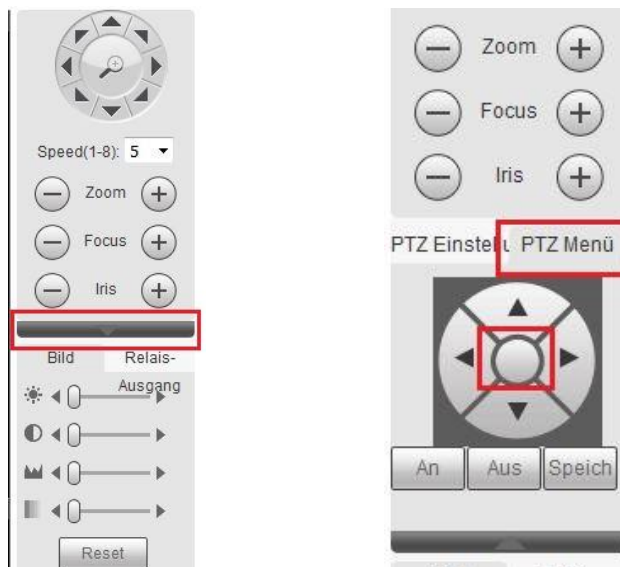


Figure 5-2 OSD menu (Web interface)

5.1. OSD menu overview:

If you are not familiar with the function of the following settings, we advise you not to change any settings in the OSD menu!

Format	PAL			
	NTSC			
Video Mode	1080p @25 FPS			
	720p @ 20 FPS			
	720p @ 50 FPS			
Backlight Mode	Off			
	BLC	On		
		Off		
	WDR	0 – 5		
	HLC	0 – 5		
Image Adjustment	Image Mode	Standard		
		Soft		
		Vivid		
	Sharpness	0 - 100		
	Brightness	0 - 100		
	Contrast	0 – 100		
	Saturation	0 – 100		
	Sharp suppression	0 – 100		
	Chroma suppression	0 – 100		
	Gamma	0 – 15		
	2DNR	0 - 100		
	3DNR	0 – 100		
	Exposure	Auto	Gain max	0 – 100
			Gain min	0 – 100
Low noise		Gain max	0 – 100	
Low motion blur		Shutter max	0ms – 40ms	
Manual		Shutter	1/25 – 1/10000	
		Gain max	0 – 100	
		Gain min	0 – 100	
Exposure level		0 – 14		
Exposure speed		0 – 7		
Anti-flicker		Outdoor		
		50Hz		
	60Hz			
White balance	Auto			
	Manual	Blue gain	1 – 100	
		Red gain	1 – 100	
	Day			
	Night			
	Indoor			
Day / night	Outdoor			
	Auto	Day / night	1 – 100	
		Waiting time	1 – 15	

	B/W		
	Color		
Language			
Advanced	Camera title		
	Mirror	Horizontal mirror	
		Vertical mirror	
	D-Zoom	1 – 10	
	Lens type	Manual	
		DC	
	Self-adaption	On	
		Off	
	Audio mode	Off	
		External	
		Built-in	
	Smart IR	Auto	Level 0 - 10
		IR normally closed	
	Privacy mask	Off	
		on	Area selection
			Display
			Area setup
			Restore default
	RS485 Setup	Address	
		Apply	
	System information	Version	
Reset			
Exit			

Please note:

- **This manual is for reference only. Slight differences may be found in your user interface.**
- **All designs and software shown here are subject to change without any prior written notice.**
- **All trademarks and registered trademarks mentioned are properties of their respective owners.**
- **If there is any uncertainty or controversy, please contact us directly.**
- **Please visit our website or contact your local service engineer for more information.**

LUPUS-Electronics® GmbH

Otto-Hahn-Str. 12, D-76829 Landau

Tel. +49 (0) 6341 93 55 3 0 Fax. +49 (0) 6341 93 55 3 20

E-Mail: info@Lupus-Electronics.de

www.Lupus-Electronics.de